

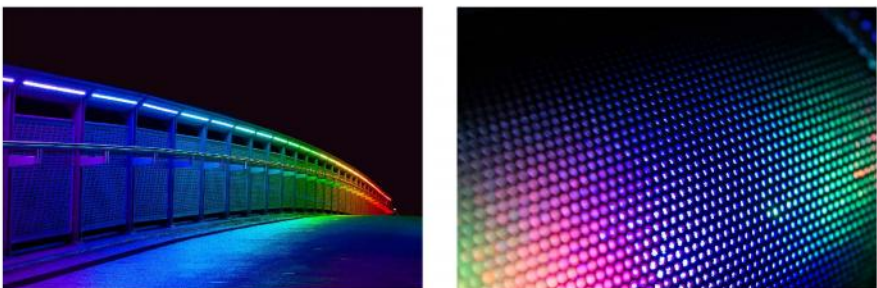


LED MODULE SERIES



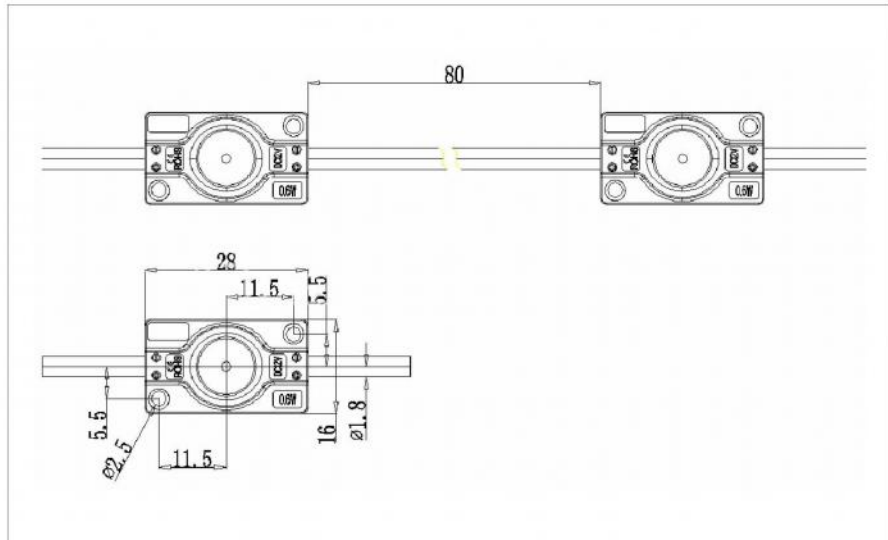
One light source

LED MODULE SERIES



Product Details

- LED Color Temperature : WWW/CW/R/G/B/Y
- VIEWING ANGLE : $\geq 165^\circ$
- INPUT : 12VDC
- LED TYPE : 1-5630
- POWER : 0.6W
- 85 LM/W
- PROTECTION : IP67



Two light source

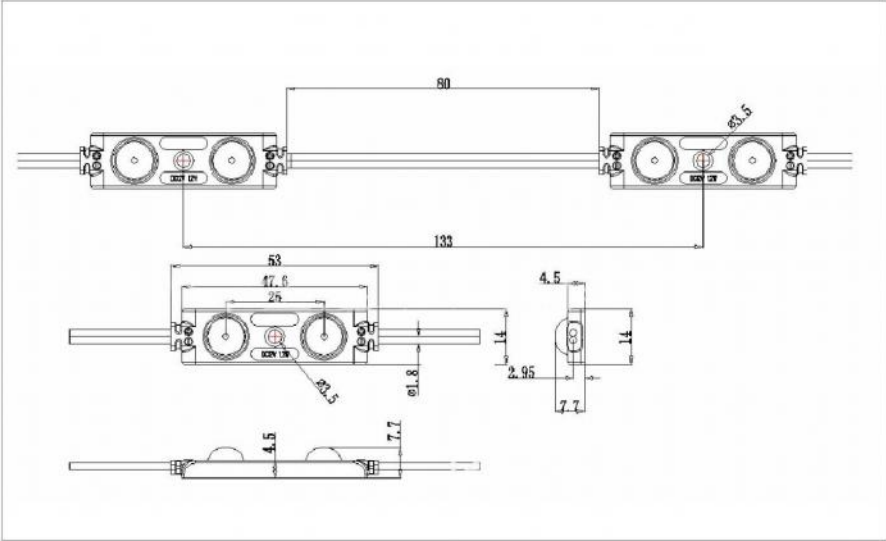


LED MODULE SERIES



Product Details

- LED Color Temperature : WWW/CW/R/G/B/Y
- VIEWING ANGLE : $\geq 165^\circ$
- INPUT : 12VDC
- LED TYPE : 1-5630
- POWER : 1.2W
- 85 LM/W
- PROTECTION : IP67



Threelight source

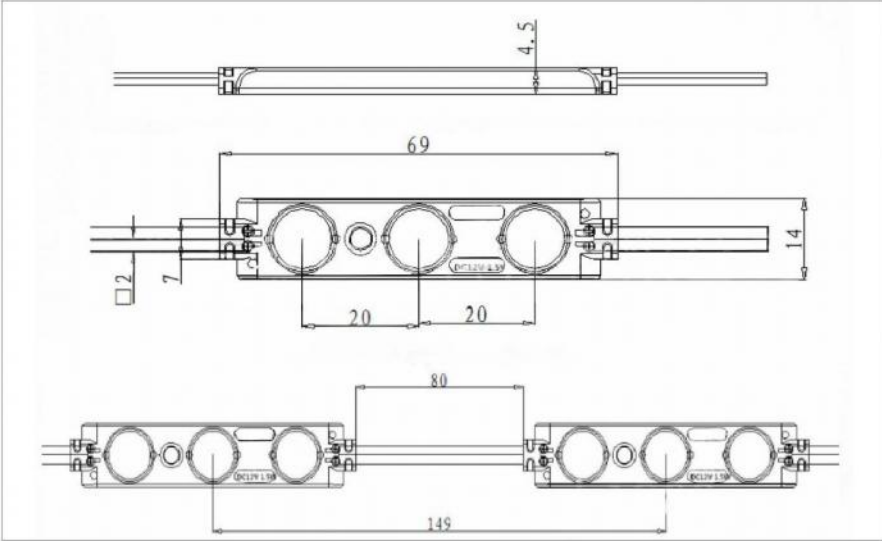


LED MODULE SERIES



Product Details

- LED Color Temperature : WWW/CW/R/G/B/Y
- VIEWING ANGLE : $\geq 165^\circ$
- INPUT : 12VDC
- LED TYPE: 1-5630
- POWER : 1.5W
- 85 LM/W
- PROTECTION : IP67



Fourlight source



LED MODULE SERIES



Product Details

LED Color Temperature : WWW/CW/R/G/B/Y

VIEWING ANGLE : $\geq 165^\circ$

INPUT : 12VDC

LED TYPE : 1-5630

POWER : 2W

85 LM/W

PROTECTION : IP67

